

Control Technology and System Solutions for Mining

VoIP (Voice over IP) Telephone System

- 1. IP Addressable (Static/Dynamic)
- 2. Complete with "Voice Attendant"
- 3. Mine Duty Construction
- 4. Connections for auxiliary IP devices
- 5. Remote Paging Speaker w/ Strobe
- 6. GATEWAY to standard page phone

Marco's VOIP telephone solution offers rich and flexible features designed specifically for the mining industry. The "EtherPhone" offers both classical PBX functionality and advanced features, and interoperates with traditional standards-based telephone systems and Voice over IP systems. We offer the features one would expect of a large proprietary PBX system such as Voicemail, Conference Calling, Call Queuing, System Wide Paging and Call Detail Records for your underground operation as well as offices.

Link your warehouse and offices direct to your underground operations. Assign your maintenance people voice mailboxes and they can pickup their messages from any "EtherPhone". Interlink to your public system and have complete access to any "EtherPhone" in your system from anywhere in the world by using VOIP.

Call toll-free 1-304-733-9388 and experience VOIP for yourself!

"IP" stands for **Internet Protocol**, and IP telephony is all about sending out voice signals over your private **MINE-NET** or the worldwide Internet. VoIP combines data communications with voice communications via the use of a data network. Voice signals are reduced to compressed data packets. They become part of the regular data traffic that crosses over the network.

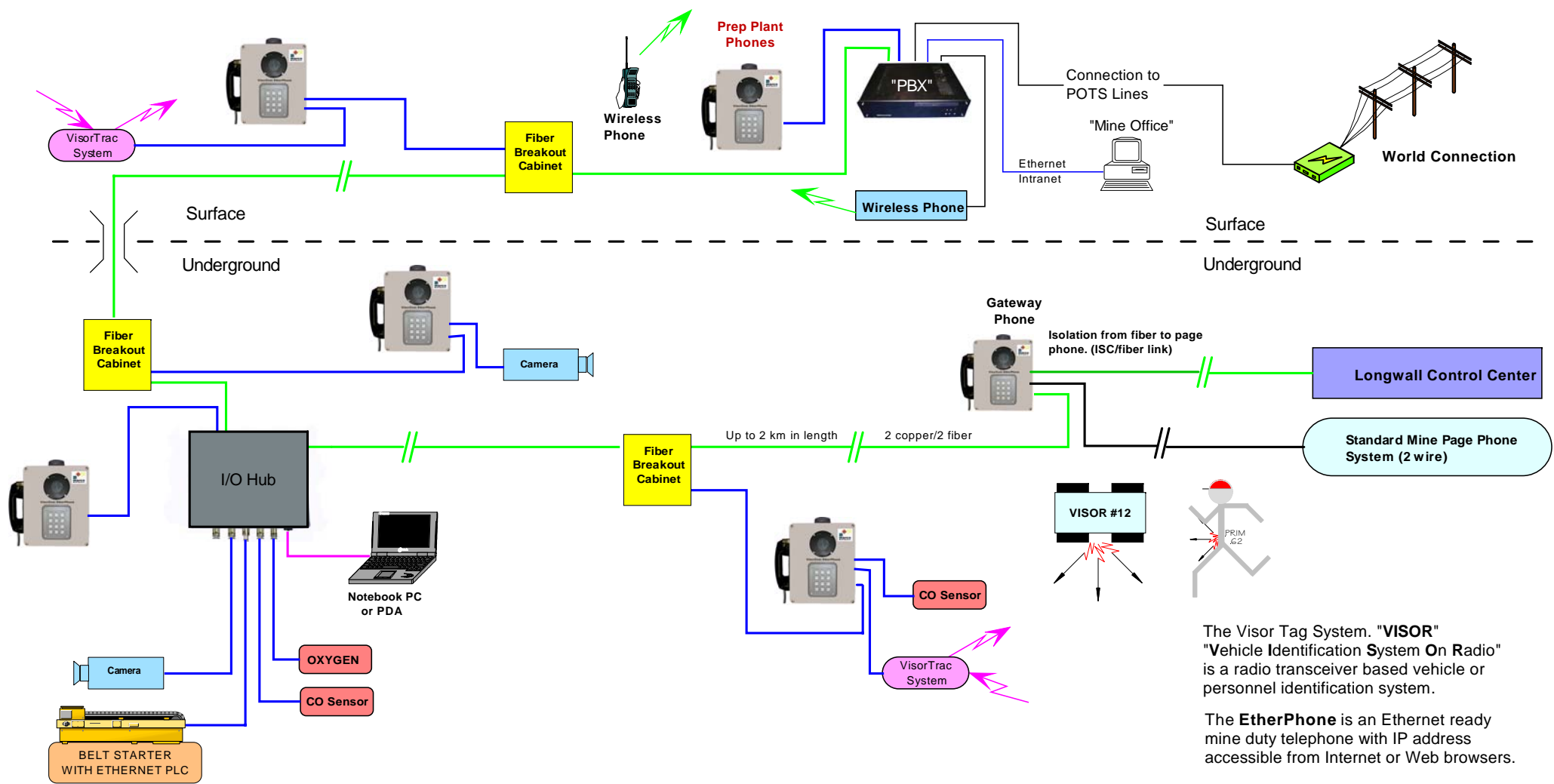


MODELS	EMP101	EMP110
Network Ports	1 In	1 In
Fiber Optic Connection	Not applicable	10 Mbps Full-Duplex Port
Power	Waterproof RJ45	Marco conm/8 fiber/copper
Size	24 VDC (POE)	24 VDC (POE)
Weight	12" X 12-1/2" X 6"	12" X 12-1/2" X 6"
Temp. Range	10 pounds	10 pounds
	32° - 104°F / 0° - 40°C (non-condensing)	32° - 104°F / 0° - 40°C (non-condensing)

This is a Preliminary Specification only and is subject to changes without notice

(Design & Manufactured by Marco North America)

Additional Information: e-mail: sales@marco-na.com



The Specification are subject to changes without notice
 Copyright©2005, Marco North America, Inc.

Typical layout for a Marco EtherPhone System including the VisorTrac Tag System

Marco North America, Inc.		
3255 Route 60 East Ona, WV 25545 Tel: 304-733-0977		
Date: 02/10/05	BY: LTM	File: ipphone3.sdr